

RuRaX

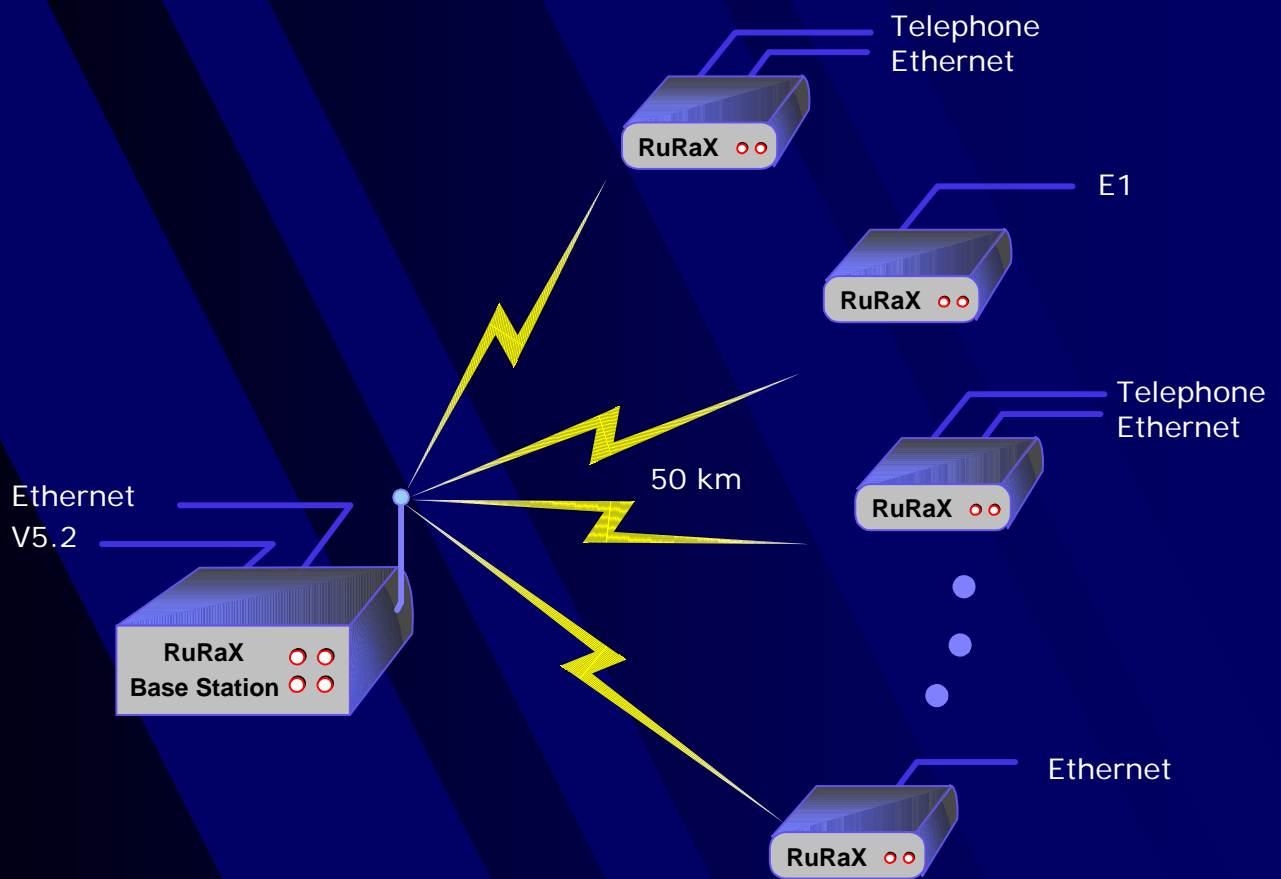
Rural Radio Extender

Base Station

Digital radio system for wireless

expansion of telephone network and internet

RuRaX base station for point-to-multipoint applications



Together with conventional RuRaX terminal units the RuRaX base station provides an extensive point-to-multipoint infrastructure. Up to 32 terminal units, each within a range of 50 km, can be served by a single base station.

The RuRaX base station comprises a high-performance radio transceiver. The channels are separated by a frequency division duplex scheme.

The RuRaX base station is a cost effective solution. It replaces several point-to-point links, which are originating in the same spot but operating with separate base units and antennas, by a common access point with a single antenna and interface.



Continuous development and improvement is one of our policies – therefore we reserve the right to change specification without notice.